

Polarization-Insensitive Optical Isolator



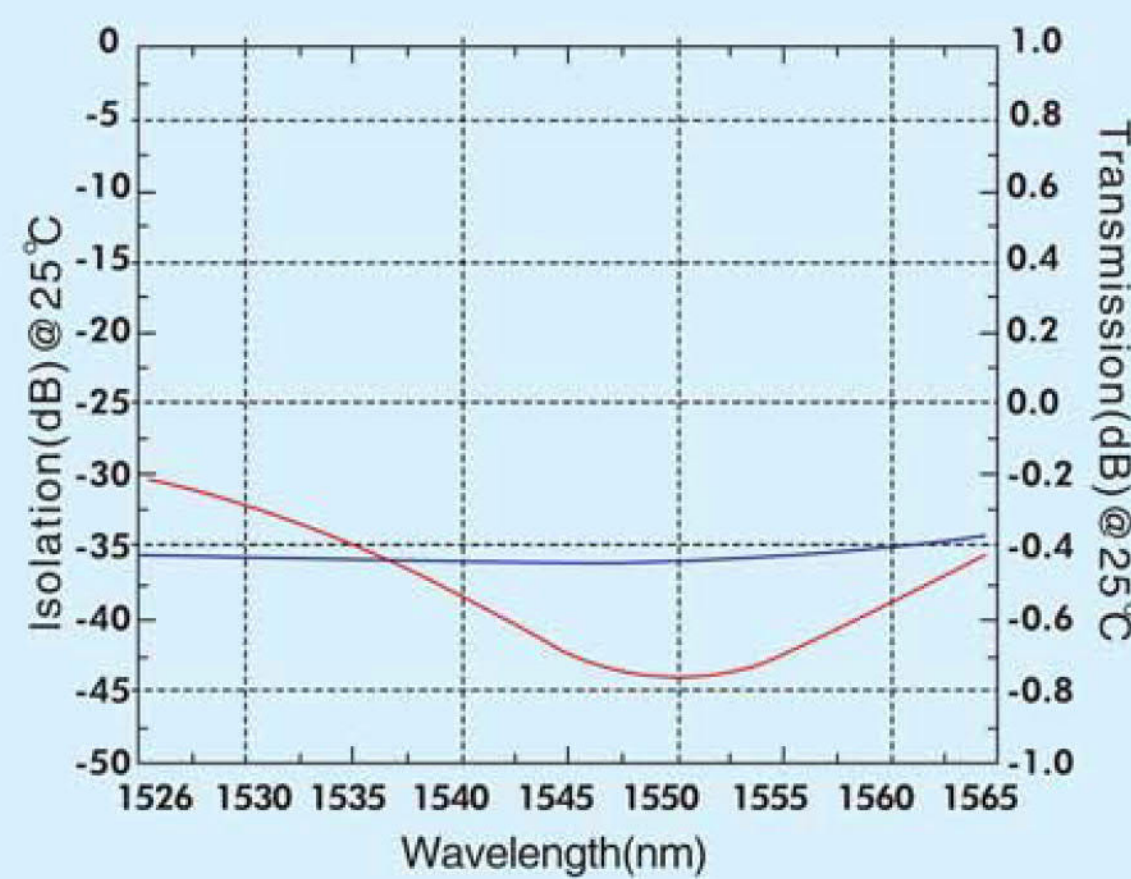
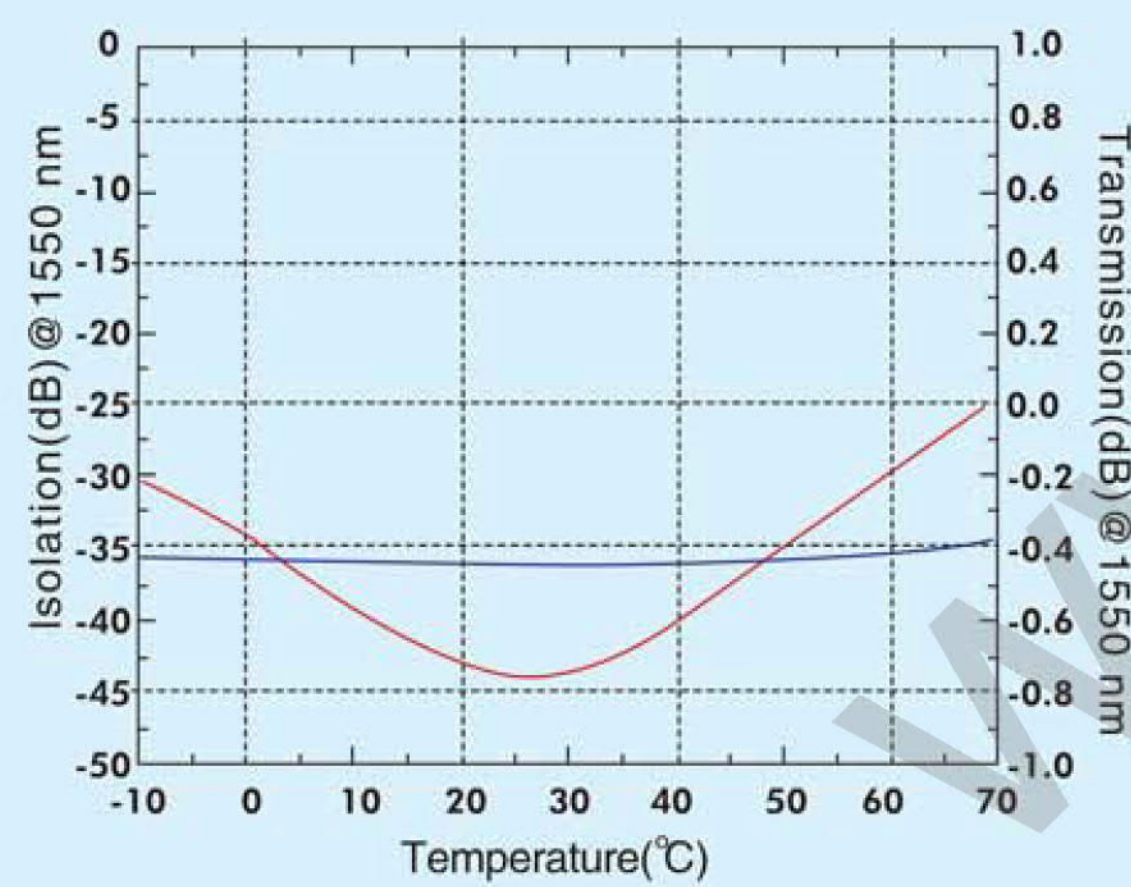
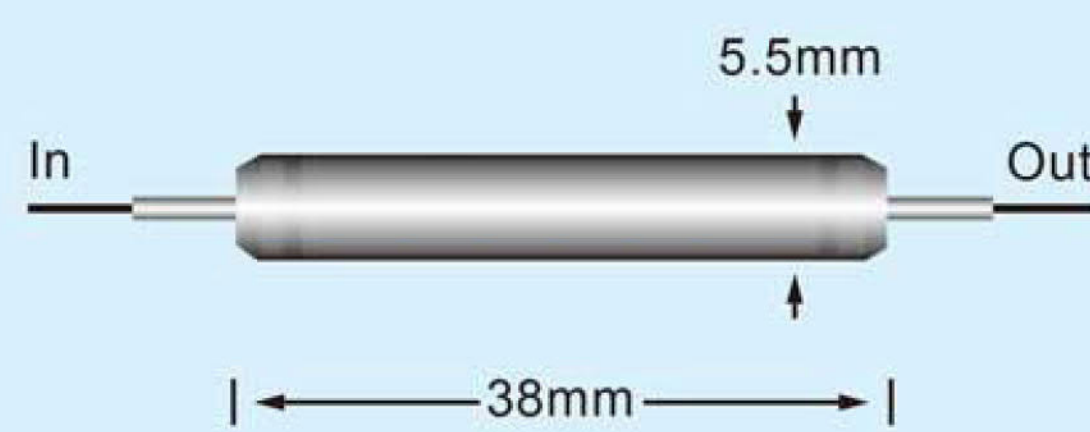
Features

- High isolation
- Low insertion loss
- High return loss
- Low polarization sensitivity

Applications

- Fiber optic amplifier
- CATV fiber optic link
- Fiber optic system testing
- Fiber optic LAN system
- Telecommunication

Package Dimension



Performance Specifications (Standard) Single Stage

Parameter	P Grade	A Grade
Operating Wavelength(nm)	1310 or 1550	
Bandwidth(nm)	±15	
Peak Isolation(dB)	≥40	
Minimum Isolation*(dB)	30	28
Typical Insertion Loss**(dB)	0.35	0.45
Maximum Insertion Loss**(dB)	0.5	0.7
Return loss(In/Out)(dB)	≥60/55	≥55/55
PDL(dB)	≤0.05	≤0.1
PMD(Ps)	0.2(0.05 available upon request)	
Operating Temperature(°C)	-10~+70	
Storage Temperature (°C)	-40~+85	
Fiber Type	Corning SMF-28	
Fiber Length(Min.)	1m or Specify	
Dimension(mm)	Ø5.5 x L38	
Maximum Power Handling(mW)	300	

(Standard) Dual Stage

Parameter	P Grade	A Grade
Operating Wavelength(nm)	1310 or 1550	
Bandwidth(nm)	±30	
Peak Isolation(dB)	56	50
Minimum Isolation*(dB)	45	42
Typical Insertion Loss**(dB)	0.5	0.5
Maximum Insertion Loss**(dB)	0.7	0.8
Return loss(In/Out)(dB)	≥65/55	≥55/55
PDL(dB)	≤0.05	≤0.1
PMD(Ps)	0.05	
Operating Temperature(°C)	-10~+70	
Storage Temperature (°C)	-40~+85	
Fiber Type	Corning SMF-28	
Fiber Length(Min.)	1 m or Specify	
Dimension(mm)	Ø5.5 x L38	
Maximum Power Handling(mW)	300	

At 23°C over bandwidth.
Not include connector, splice and fiber-end fresnel losses.

Ordering Information

Isolator Type	Wavelength	Grade	Package	Fiber Diameter	Fiber Length	Connector
IS=Single stage ID=Dual stage	13=1310nm 14=1480nm 15=1550nm LB=L-Band	P=Premium A=A Grade	1=Ø5.5 x L38 2=ABS Box Module S=Specify	0=250um 1=900um 2=2.0mm 3=3.0mm	1=1.0m 2=1.5m 3=2.0m S=Specify	0=None 1=FC/APC 2=FC/UPC 3=SC/APC 4=SC/UPC 5=LC/APC 6=LC/UPC 7=ST S=Specify